

~ 1 ~

Steam Shower Manual

Model: FJ-315



Important Safety Information

IMPORTANT

The following must be observed for safe and proper installation and operation. Professional installation is recommended; faulty electrical work may increase the risk of fire.

1. Always consult with a physician before using a steam shower.
2. Children should never use steam shower without adult supervision.
3. If you become dizzy, lightheaded or nauseas you should discontinue use immediately and consult a physician.

WARNING: Individuals who are intoxicated, or have been diagnosed with high blood pressure, or other heart problems should not use steam showers without prior medical consent.

Table of Contents

| | |
|--------------------------------------|---|
| Notice..... | 4 |
| Features..... | 5 |
| Water & Electrical Connections | 5 |
| Installation | 6 |

Notice

- Do not disconnect any hose or joints from the acrylic panels.
- All shower panel seams must be sealed with 100% silicone caulk
- Remove all protective plastic before assembly
- Tighten and reseal any and all loose fittings, jets and fixtures.
- All electrical work should be done in accordance with local safety standards.
- Water lines must be active before unit is powered up.

Features

- Luxurious Tempered Glass Enclosure
- Self-cleaning Steam Generator
- Left/Right Models Available
- Body Massage Jets
- Towel Hook
- Rainfall Showerhead
- Molded Seat
- Aromatherapy Cup
- Computer Panel
- Quartz Light
- Diverter
- Mirror
- Accessory Rack
- Handheld Showerhead

Water and Electrical Connections

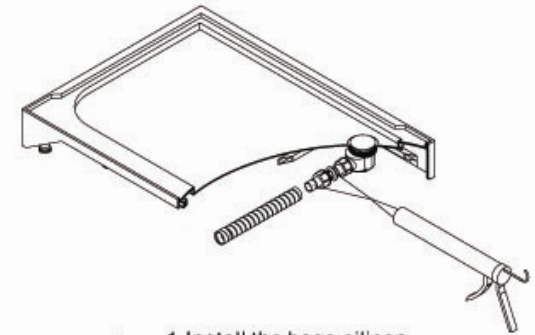
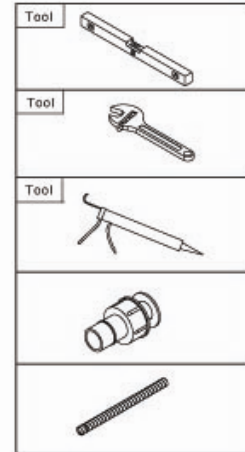
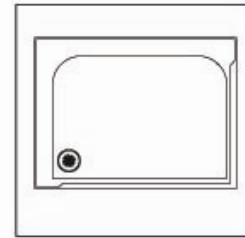
- To avoid scalding the incoming water temperature should never exceed 122° Fahrenheit.
- Water pressure must stay within the range of 30-70 PSI.
- 2 Hot/Cold shutoff valves with ½ male pipe threads are required (not included).
- 1-220 volt 20 amp GFCI breaker with internal neutral wire is required (10-2/ 12-2 gauge wire).


Installation

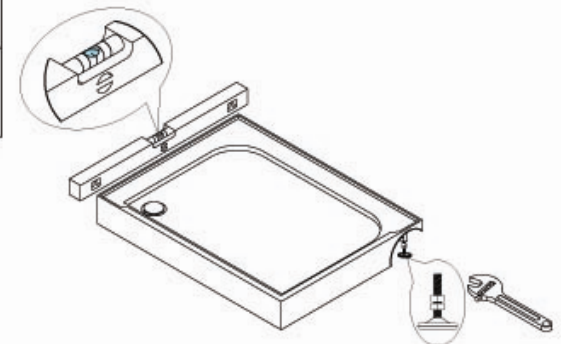
Required tools


- Crescent wrench
- #2 Philips head screw-driver (electric if possible)
- Strait head screw-driver
- Level
- Caulk gun with 100% silicone caulk
- Customer support—call 866-STEAM-61
- **It is recommended to use 100% silicone caulk to seal all joints between shower panels instead of adhesive tape**

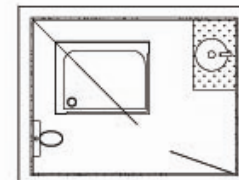


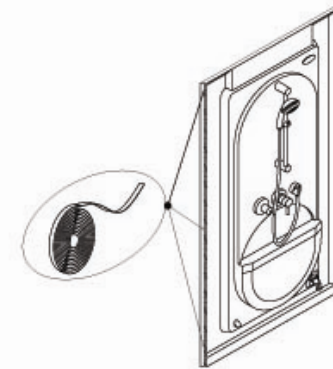
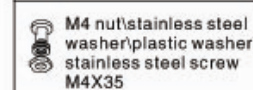
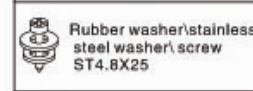
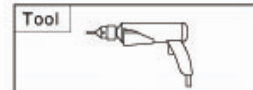
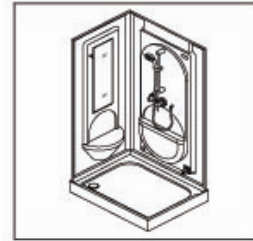


 1. Install the base, silicon glue to prevent the leakage.

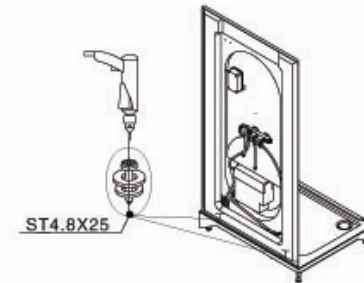


 2. Adjust the lever of the base.

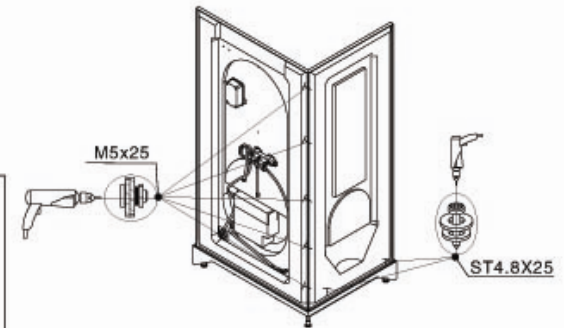
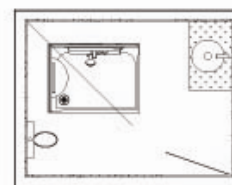




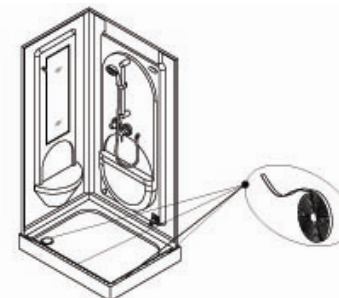
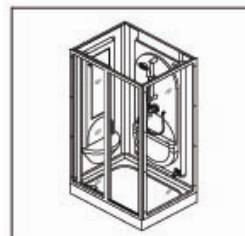
1. Stick the adhesive tape on bottom and both sides of shower panel.









2. Fixed shower panel.



3. Connected to the shower panel and bath seat panel.

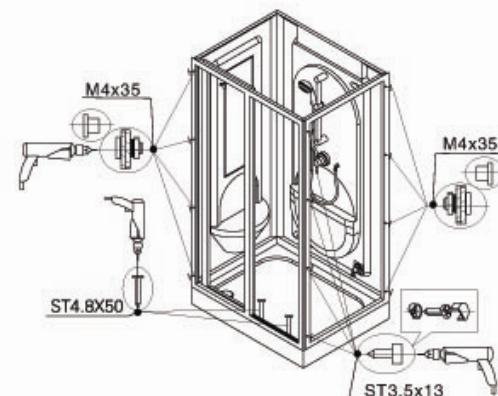
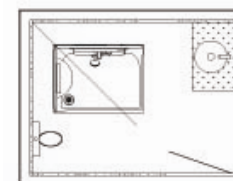


1. Stick the adhesive tape on the connective part to the base and glass panels.

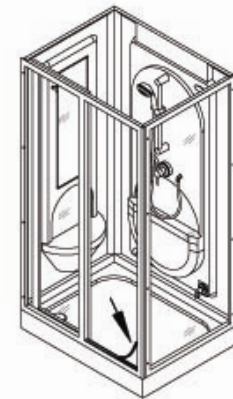
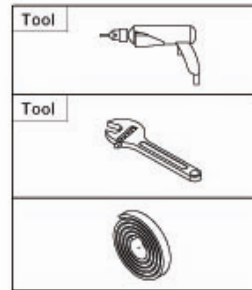
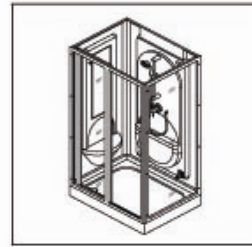
| | |
|---|--|
| Tool | |
|  | |
|  | |
|  | M4 nut/stainless steel washer/plastic washer stainless steel screw M4X35 |
|  | ST4.8x50 |
| | ST3.5x13 |
|  | |
|  | |



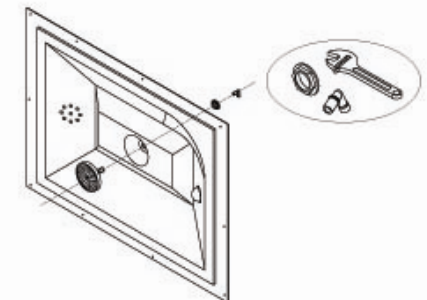
2. Pull up rubber belt of doorframe.



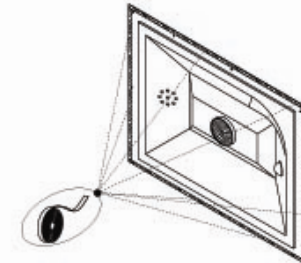
3. Put to the right holes then screw the panels.



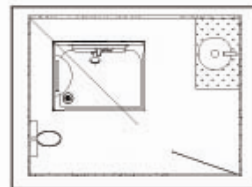
1. Put down the rubber belt of doorframe back.

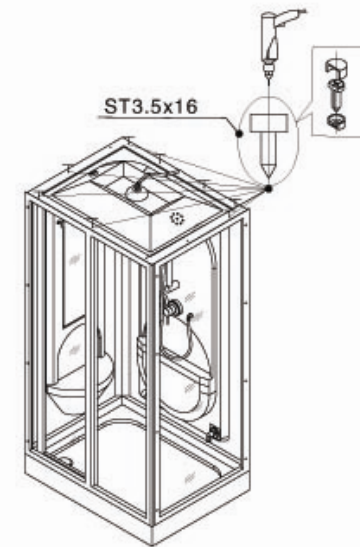
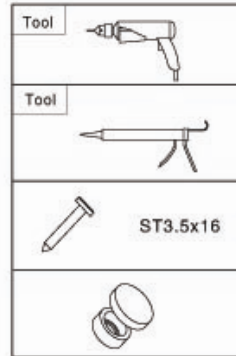
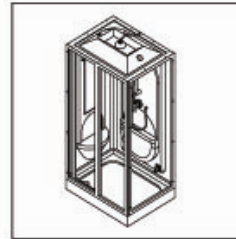


2. Install the top shower head.

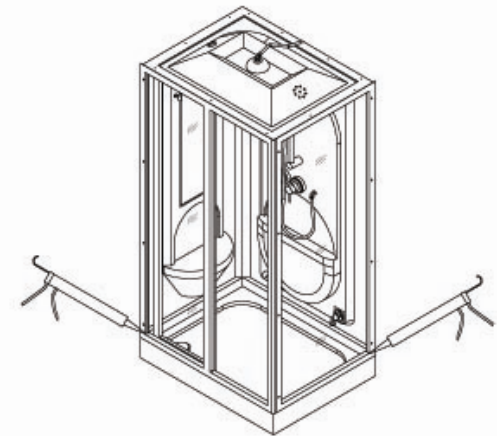
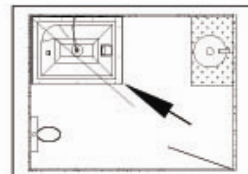


3. Stick the adhesive tape on the connective part to the top roof and side panel.





1. Installation of the roof cover.



⚠ 2. Silicon glue: prevent the leakage of the corner.