

# HY-1101

## FEATURES

- **Outward** Swinging Door
- Factory tested
- Matte Finish
- Safety Grab Bars
- Accessory Rack
- Whirlpool/Body Massage Jets
- Hand-held Shower
- Deep Molded Seat
- Luxurious Head Rest Pillow
- Comfortable Arm Support
- Waterproof Walk-in Door
- Inline Heater
- Thermostatic Valve
- Drain Access Panel
- Easy Installation (4-6 Hrs)
- Free standing or built in
- Limited Life Time Warranty on the Door Seal



## TECHNICAL INFORMATION

- **Materials:** Acrylic Composite
- **Power Supply:** 220V, 2.25KW
- **Dimensions:** 51 x 32 x 42 IN
- **Water Usage:** 50-55 Gallons

## PLUMBING REQUIRMENTS

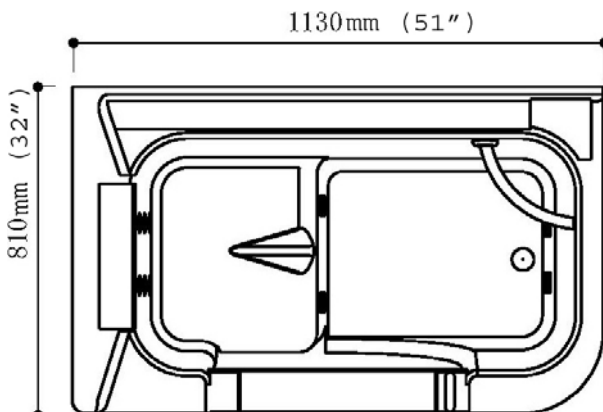
- Unit is equipped with flexible, metal braided ½ inch water supply hose with ½ female threaded connectors
- Need to install hot and cold shutoffs with ½ male threaded nipples (not included)
- 1-1/2 drain with 90 degree angle
- **Thermostatic valve may need to be recalibrated**

## ELECTRICAL REQUIREMENTS

- 2.25 KW (1.5 KW for heater and .75 KW for water pump)
- 12-2 wire (line 1, line 2, and ground )
- 220 volt, 20 amp GFCI breaker
- 12-2 wire needs to be connected to junction box located near pump
- All components can be connected to this circuit

## GENERAL INFORMATION

- **Note:** It is advised to have the tub onsite before preparing drain location.
- Unit **must** be leveled in its permanent position and all feet must be on the ground to fully support the tub



**HY-1101-L**



**HY-1101-R**

