

FGS-2252

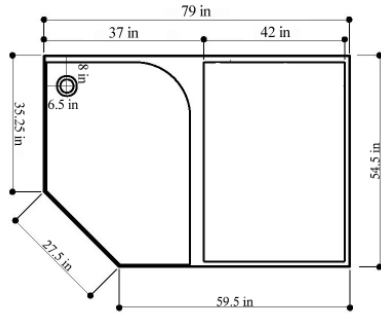


FEATURES

- Factory assembled and tested
- Left/Right Models Available
- FM Radio
- Steam Aromatherapy Cup
- Accessory Rack
- Mirror
- Sauna Heaters
- Body Massage Jets
- Rainfall Shower
- Hand-held Shower w/ Height-adjustable Bracket
- Tempered Glass
- 2-Person Molded Seat
- Pressure Balance Valve (optional extra)
- Adjustable Time Settings
- Control Panel
- Matte finish
- Swinging Door
- Circulation Fan
- Quartz Light
- Decorative Sauna Light
- Self-Cleaning Steam Generator

TECHNICAL INFORMATION

- **Materials:** Acrylic, Tempered Glass, Wood (Finland)
- **Power Supply:** 220V, 3KW
- **Steam Ready:** 5 MIN
- **Dimensions:** 79 x 54.5 x 87 IN



PLUMBING REQUIRMENTS

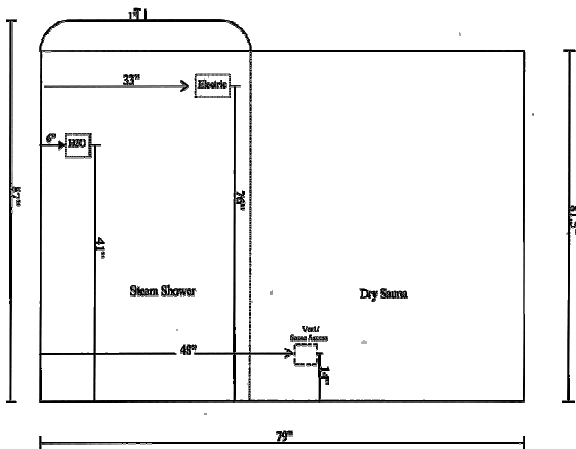
- The unit is equipped with hot and cold, metal braided ½ inch water supply hose with ½ national pipe thread.
- Need to install hot and cold shutoffs with ½ -male national pipe thread (not included).
- Supply hoses are to connect from the faucet manifold on the unit to the shutoff valves.
- All water jet features are pre plumbed with reinforced braided flexible supply hose
- All fixtures and fittings should be checked for tightness as they may have been loosened during transport

ELECTRICAL REQUIREMENTS

- Steam box – 3 KW, sauna box – 3 KW
- 2 separate 12-2 line -1 for steam and 1 for sauna (line 1, line 2, and ground)
- 2- 220 volt 20 amp GFCI breakers with internal neutral wire needed
- There is a length of wire from the steam box to connect to 220 line. The sauna box has no wire and needs 220 wire directly connected to it.

GENERAL INFORMATION

- Units come broken down in panels and are assembled with screws, nuts and bolts on site. All seams to be caulked with 100% silicone at room temperature. (no latex caulking)
- **Note:** All shower bases need to be leveled in its final resting position, mark the placement, then pull base out and begin assembly.
- It is advised to have base onsite before preparing drain location. **Manufacturer reserves the right to change specs or features at anytime. Please check to confirm details. 1-866-783-2661**



FGS-2252-L



FGS-2252-R

