

M-D010

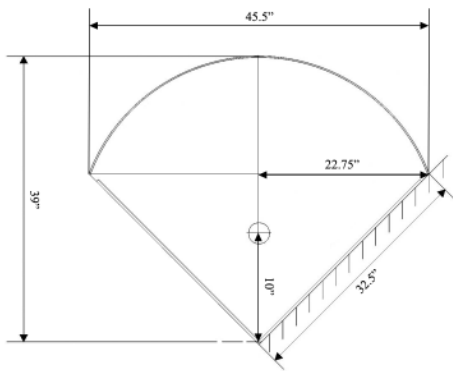


FEATURES

- Factory tested
- Corner Unit
- Available in Bone or White
- Polished Aluminum Trim
- Sliding doors
- Accessory Rack
- Mirror
- Body Massage Jets
- Rainfall Shower
- Hand-held Shower
- Molded Seat
- Pressure Balance Valve (optional extra)
- Tempered Glass

TECHNICAL INFORMATION

- **Materials:** Acrylic, Tempered Glass
- **Dimensions:** 36 x 36 x 82 IN



PLUMBING REQUIRMENTS

- The unit is equipped with hot and cold, metal braided ½ inch water supply hose with ½ national pipe thread.
- Need to install hot and cold shutoffs with ½ - male national pipe thread (not included).
- Supply hoses are to connect from the faucet manifold on the unit to the shutoff valves.
- All water jet features are pre plumbed with reinforced braided flexible supply hose
- All fixtures and fittings should be checked for tightness as they may have been loosened during transport.

GENERAL INFORMATION

- Units come broken down in panels and are assembled with screws, nuts and bolts on site. All seams to be caulked with 100% silicone at room temperature (no latex caulking)
- **Note:** All shower bases need to be leveled in its final resting position, mark the placement, then pull base out and begin assembly.
- It is advised to have base onsite before preparing drain location.
Manufacturer reserves the right to change specs or features at anytime. Please check to confirm details. 1-866-783-2661