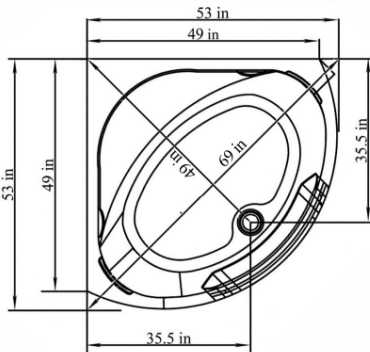
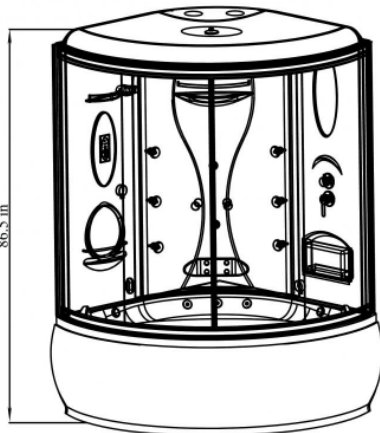


MK-547



FEATURES

- Factory tested
- Corner Unit
- Available in Bone or White
- Polished Finish
- FM Radio
- Phone
- Steam Aromatherapy Cup
- Accessory Rack
- Mirror
- Foot Massage
- Underwater Color Lighting
- Whirlpool Jets
- Diverter
- Body Massage Jets
- Rainfall Shower
- Hand-held Shower
- Molded Seat
- Pressure Balance Valve (optional extra)
- Adjustable Time Settings
- Control Panel with Remote
- Sliding Door
- Circulation Fan
- Mood lighting
- Interior Access Panel
- Drain Access Panel
- Tempered Glass
- Self-Cleaning Steam Generator

TECHNICAL INFORMATION

- **Materials:** Acrylic, Tempered Glass
- **Power Supply:** 220V steam box/ Water pump is 110v or 220v
- **Steam Ready:** 2-5 MIN
- **Dimensions:** 53 x 53 x 88 IN

PLUMBING REQUIRMENTS

- The unit is equipped with hot and cold, metal braided ½ inch water supply hose with ½ national pipe thread.
- Need to install hot and cold shutoffs with ½ -male national pipe thread (not included).
- Supply hoses are to connect from the faucet manifold on the unit to the shutoff valves.
- All water jet features are pre-plumbed with reinforced braided flexible supply hose
- All fixtures and fittings should be checked for tightness and leaks as they may have been loosened during transport.

ELECTRICAL REQUIREMENTS

- **Steam box** -220V 3 KW/ 13.6 amps - 1 dedicated 12-2 wire (line 1, line 2, and ground) 220 volt, 20 amp GFCI breaker/ (Dedicated line for steam box only.)
- **Water pump** (2nd dedicated line needed for pump)
- **If water pump is 220 volt** – (75 KW/ 4 amps)
1 dedicated 12-2 wire (line 1, line 2, and ground) with 220 volt, 20 amp GFCI breaker.
- **If water pump is 110 volt-** .75 KW/ 7 amps
1 dedicated 12-2 wire with 110 volt- 20 amp GFCI breaker.

GENERAL INFORMATION

- Units come broken down in panels and are assembled with screws, nuts and bolts on site. All seams to be caulked with 100% silicone at room temperature (no latex caulking)
- **Note:** Tub needs to be leveled in its final resting position, mark the placement, then pull base out and begin assembly of wall panels. Glass piece on the front of bathtub is fixed and does not open. It is advised to have tub onsite before preparing drain location. **Manufacturer reserves the right to change specs or features at anytime. Please check to confirm details. 1-866-783-2661**