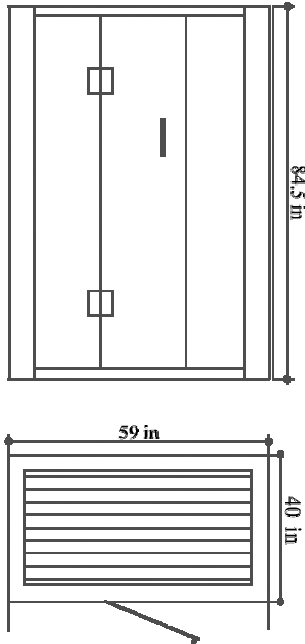


WS-112(40)



FEATURES

- Factory tested
- Polished Aluminum Trim
- Tempered glass walls and doors
- Swinging door
- FM Radio
- Steam Aromatherapy Cup
- Accessory Rack
- Body Massage Jets
- Rainfall Shower
- Thermostatic Faucet
- Waterproof Oak Shower Grid
- Hand-held Shower w/ Height-adjustable Bracket
- 2 Removable Waterproof Oak Seats
- Pressure Balance Valve (optional extra)
- Control Panel
- Circulation Fan
- Chromatherapy/LED Color Lighting
- Self-Cleaning Steam Generator

TECHNICAL INFORMATION

- **Materials:** Aluminum, Tempered Glass
- **Power Supply:** 220V, 110V (limited availability), 3KW
- **Steam Ready:** 2-5 MIN
- **Dimensions:** 59 x 40 x 84.5 IN

PLUMBING REQUIRMENTS

- The unit is equipped with hot and cold, metal braided ½ inch water supply hose with ½ national pipe thread.
- Need to install hot and cold shutoffs with ½ -male national pipe thread (not included).
- Supply hoses are to connect from the faucet manifold on the unit to the shutoff valves.
- All water jet features are pre plumbed with reinforced braided flexible supply hose
- All fixtures and fittings should be checked for tightness as they may have been loosened during transport

ELECTRICAL REQUIREMENTS

- Steam box- 3 KW
- 1 dedicated power source
- If 110V, 1 dedicated 10-2 wire with 30 amp GFCI breaker
- If 220V, 1 dedicated 12-2 wire with 20 amp GFCI breaker
- There is a length of wire from the steam box supplied to connect to the active power source.

GENERAL INFORMATION

- Units come broken down in panels and are assembled with screws, nuts and bolts on site. All seams to be caulked with 100% silicone at room temperature. (no latex caulking)
- BASE NOT PROVIDED. WOOD GRID SHOULD BE PLACED ON TOP OF TILE FLOOR OR PAN
- **Note:** Custom bases are available to be ordered for this unit. Access panel area advised.
- **Manufacturer reserves the right to change specs or features at anytime. Please check to confirm details. 1-866-783-2661**